

**DS-K1T343EFX**  
**Face Recognition Terminal**



Face recognition terminal adopts deep learning algorithm, which helps to recognize the face faster with higher accuracy. It also supports multiple authentication modes: face/card/fingerprint authentication, etc. It can be applied in multiple scenarios, such as buildings, enterprises, financial industries, and other important areas.

- Max.1500 faces capacity, Max.3000 fingerprints capacity, and Max.3000 cards
- Face Recognition Terminal, 4.3-inch LCD touch screen, 2 Mega pixel wide-angle lens, Built-in EM card reading module
- Two-way audio with client software, indoor station, and main station; Supports TCP/IP
- Supports ISAPI, ISUP5.0
- Configuration via the web client
- Face recognition. Distance: 0.3 m to 1.5 m
- Duration < 0.2 s/User
- Accuracy rate ≥ 99%

## ▪ Specification

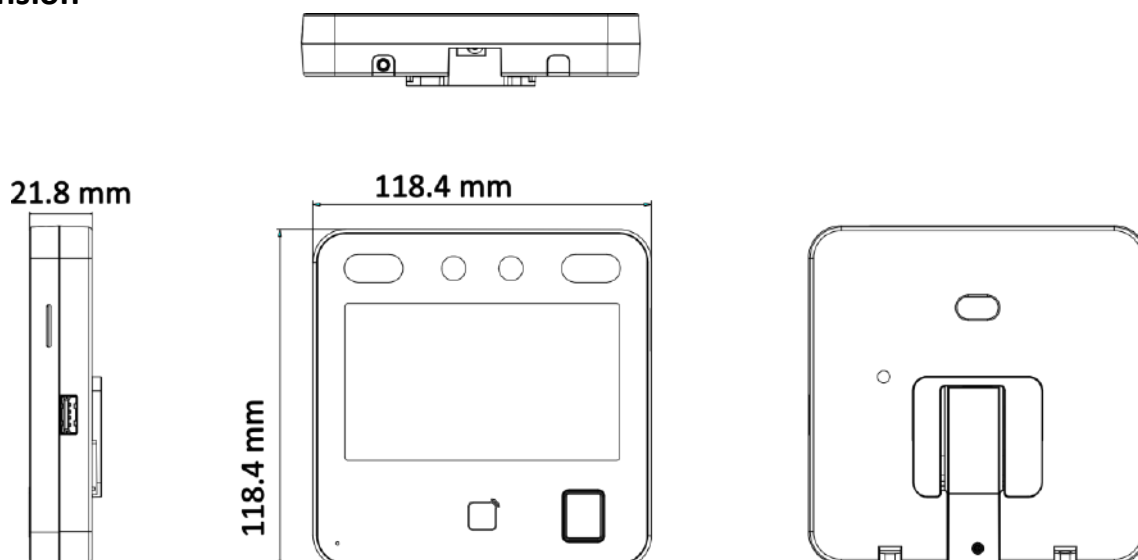
| System                           |                                     |
|----------------------------------|-------------------------------------|
| Operation system                 | Linux                               |
| Display                          |                                     |
| Dimensions                       | 4.3-inch                            |
| Resolution                       | 480 × 272                           |
| Type                             | LCD                                 |
| Operation method                 | Capacitive touch screen             |
| Video                            |                                     |
| Pixel                            | 2 MP                                |
| Lens                             | × 2                                 |
| Video standard                   | PAL (Default) and NTSC              |
| Network                          |                                     |
| Wired network                    | 10 M/100 M self-adaptive            |
| Wi-Fi                            | Not support                         |
| Interface                        |                                     |
| Network interface                | 1                                   |
| RS-485                           | 1                                   |
| Wiegand                          | 1                                   |
| Lock output                      | 1                                   |
| Exit button                      | 1                                   |
| Door contact input               | 1                                   |
| IO input                         | -                                   |
| IO output                        | -                                   |
| TAMPER                           | 1                                   |
| USB                              | 1                                   |
| Capacity                         |                                     |
| Card capacity                    | 3,000                               |
| Face capacity                    | 1,500                               |
| Fingerprint capacity             | 3,000                               |
| Event capacity                   | 150,000                             |
| Authentication                   |                                     |
| Card type                        | EM card                             |
| Card reading frequency           | 125 KHz                             |
| Face recognition duration        | < 0.2 s                             |
| Face recognition accuracy rate   | > 99%                               |
| Face recognition distance        | 0.3 to 1.5 m                        |
| Fingerprint recognition duration | < 1 s                               |
| Function                         |                                     |
| Face anti-spoofing               | Support                             |
| Audio prompt                     | Support                             |
| Time synchronization             | Support                             |
| General                          |                                     |
| Power supply                     | 12 VDC/1 A (power adapter included) |

|                         |  |
|-------------------------|--|
| Working temperature     | -10 °C to 40 °C (14 °F to 104 °F)  |
| Working humidity        | 0 to 90% (No condensing)   |
| Dimensions              | 118.4 mm × 118.4 mm × 21.8 mm (4.66" × 4.66" × 0.86")  |
| Application environment | Indoor   |
| Installation            | Wall Mounting; Base Mounting   |
| Weight                  | Gross weight: 0.71 kg (1.57 lbs)<br>Net weight: 0.23 kg (0.51 lbs)   |
| Language                | English, Spanish (South America), Arabic, Thai, Indonesian, Russian, Vietnamese, Portuguese (Brazil), Korean; Japanese |

## ▪ Available Model

DS-K1T343EFX

## ▪ Dimension



**TUNISIE**

**Sfax:** Av de la Liberté, Imm. El Itkan 3<sup>ème</sup> étage, B11, CP. 3027

☎(+216) 74 415 055 / 📠(+216) 74 415 044

**Tunis:** 7, rue du Lac Côme, Imm. Nessima, 1<sup>er</sup> étage, B1, B2 & B3  
Les Berges du Lac, CP.1053. ☎(+216) 71 655 261

**Sousse:** Av. Yasser Arafat, Résidence Chaima, 4<sup>ème</sup> étage,  
B 401, Sahloul, CP. 4054. ☎(+216) 73 368 115

**ALGÉRIE**

**Alger:** Cité 420 logements, bâtiment 17 n°1 El Hamiz, Dar  
El Beida, CP. 16033, Alger

☎+213 770 947 069 / +213 770 945 731

**SÉNÉGAL**

**Dakar:** 25, Avenue Pasteur, RDC Imm. Pasteur, CP. 10200  
☎+221 78 147 82 73 / +221 33 821 85 38

**MAURITANIE**

**Nouakchott:** Tavragh-Zeina, Avenue  
Mokhtar Oulf Daddah

☎+222 49 12 14 94

**FRANCE**

**Paris:** 128 Rue de la Boétie 75008  
☎+33 6 17 54 78 03

